

# PRODUCT INFORMATION PACKET

Model No: 326TTTS16533

Catalog No: U1876

50 HP Severe Duty Motor, 3 phase, 1800 RPM, 230/460 V, 326TV Frame, TEAO  
Low Voltage NEMA Cooling Tower Motors



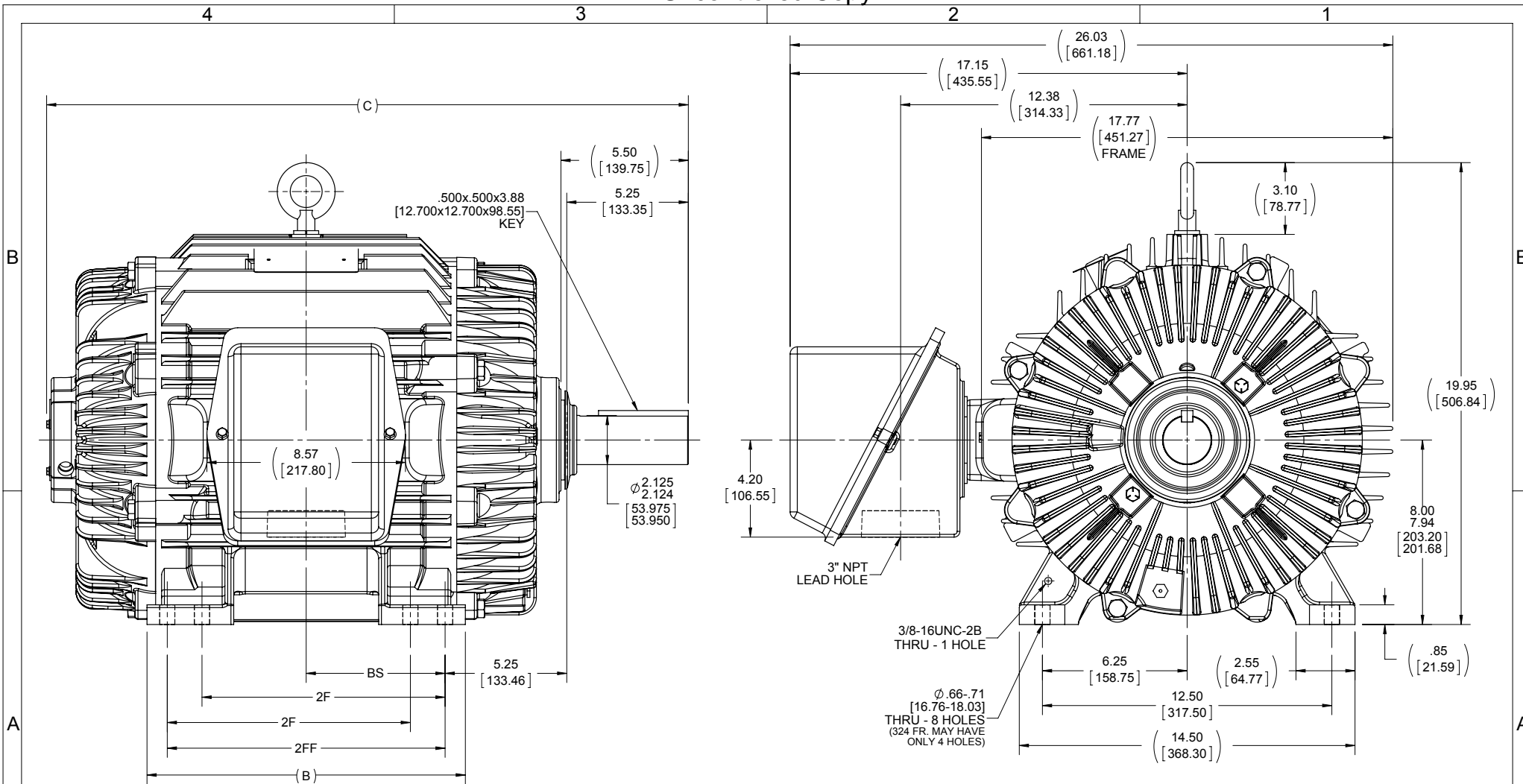
### Nameplate Specifications

Output HP	50 Hp	Output KW	37.0 kW
Frequency	60 Hz	Voltage	230/460 V
Current	120.0/60.0 A	Speed	1775 rpm
Service Factor	1.15	Phase	3
Efficiency	94.5 %	Power Factor	82
Duty	Continuous	Insulation Class	F
Design Code	B	KVA Code	F
Frame	326TV	Enclosure	Totally Enclosed Air Over
Thermal Protection	No	Ambient Temperature	40 °C
Drive End Bearing Size	6312	Opp Drive End Bearing Size	6311
UL	Recognized	CSA	Y
CE	Y	IP Code	56

### Technical Specifications

Electrical Type	Squirrel Cage Inverter Rated	Starting Method	Line Or Inverter
Poles	4	Rotation	Reversible
Resistance Main	.112 Ohms	Mounting	Rigid base
Motor Orientation	Horizontal Or Up Or Down	Drive End Bearing	Ball
Opp Drive End Bearing	Ball	Frame Material	Cast Iron
Shaft Type	T	Overall Length	27.72 in
Frame Length	13.00 in	Shaft Diameter	2.125 in
Shaft Extension	5.5 in	Assembly/Box Mounting	F1/F2 CAPABLE
Outline Drawing	B-SS310468-1300	Connection Drawing	A-EE7308

This is an uncontrolled document once printed or downloaded and is subject to change without notice. Date Created:27/03/2020



- NOTES:  
 1. CONDUIT BOX CAN BE ROTATED IN 90° STEPS.  
 2. CONDUIT BOX CAN BE MOUNTED ON OPPOSITE SIDE BY REMOVING BRACKETS AND TURNING FRAME 180°.  
 3. NAMEPLATE READ FROM CONDUIT BOX SIDE OF MOTOR.

DASH	FRAME	C	B	2F	2FF	BS
1150	324T	26.22 [665.84]	13.00 [330.20]	---	10.50 [266.70]	5.25 [133.35]
1300	324/326T	27.72 [703.94]	13.75 [349.25]	10.50 [266.70]	12.00 [304.80]	6.00 [152.40]

DRAWING REVISION	REVISION BY	DATE
A		
ECO-0061730	APPROVED BY	DATE
ECO DESCRIPTION		
MU118268 / NMR-0067782		

COPYRIGHT REGAL BELOIT AMERICA, INC. ALL RIGHTS RESERVED.  
 PROPRIETARY AND CONFIDENTIAL INFORMATION - THIS DOCUMENT IS THE PROPERTY OF REGAL BELOIT AMERICA, INC. (OWNER) AND CONTAINS OWNER'S PROPRIETARY INFORMATION. ANY PERSON, CORPORATION OR OTHER FIRM RECEIVING IT IS DEEMED, BY RECEIVING IT, TO AGREE THAT IT, AND/OR ANY PART OF IT, SHALL NOT BE DISCLOSED TO ANY PERSON, CORPORATION OR OTHER ENTITY, DUPLICATED, AND/OR USED, EXCEPT AS EXPRESSLY APPROVED IN WRITING IN ADVANCE BY OWNER. THIS DOCUMENT SHALL BE RETURNED TO OWNER UPON REQUEST. IT MAY BE SUBJECT TO CERTAIN RESTRICTIONS UNDER APPLICABLE EXPORT CONTROL LAWS AND REGULATIONS.

TOLERANCES UNLESS OTHERWISE SPECIFIED:
DEC. INCH mm ANGLE
.X ±0.1 [±2.5] ±7° 30'
.XX ±0.03 [±0.76]
.XXX ±0.005 [±0.127]
.XXXX ±0.0005 [±0.0127]
REMOVE BURRS & BREAK SHARP EDGES: .003/.015 [0.076/ 381]
CORNER FILLETS: .02 [51]
MACHINED SURFACES: 200 INCH/mm 5.1
mm SHOWN IN [BRACKETS]

DRAWN BY	MSG
DATE	10-08-2014
APPROVED BY	TB
DATE	10-08-2014
REFERENCE	
THIRD ANGLE PROJECTION	

REGAL™ Regal Beloit America, Inc.	
DESCRIPTION	OUTLINE 320T FR. - TEAO/TENV - CAST IRON BOX
MATERIAL	PROCESS/FINISH
SIZE	DRAWING NUMBER
B	SS310468
SHEET	1 OF 1



NO.	REVISION	BY & DATE	CHK	ANG	TOLERANCES UNLESS SPECIFIED		FINISH	DRAWN RM 11/20/1990				
					DEC.	INCHES						
5	CHG TO REGAL LOGO	SL 09/10/2015	AB					CHK ML 11/21/1990				
4	REVISED IEC NOTATIONS	MSG 11/15/2011	CMN	.X	±.1			APPD SAS 04/24/2003				
3	ADDED IEC NOTATIONS... (U1), (V1) ETC. MU95194	MSG 5/10/2010	MJS	.XX	±.02		TITLE CONNECTION DIAGRAM	SCALE 1=1				
2	ADDED THE OPTIONAL CORD CONNECTION MU46318	RDH 04/24/2003	DRS	.XXX	±.005		3Ø - DUAL VOLTAGE MOTOR	REF				
1	REDRAWN	RM 11/20/1990		.XXXX	±.0005		MAT'L.	FMF				
					±7'30"			PREV				
THIS DRAWING IN DESIGN AND DETAIL IS OUR PROPERTY AND MUST NOT BE USED EXCEPT IN CONNECTION WITH OUR WORK ALL RIGHTS OF DESIGN AND INVENTION ARE RESERVED THIS IS AN ELECTRONICALLY GENERATED DOCUMENT - DO NOT SCALE THIS PRINT							RFP	CAD FILE ee7308	SIZE A	DRAWING NO. EE7308	PAGE OF 5	REV. 5
							DIST WP					



Data Sheet

Date: 29-06-2017  
 Customer: \_\_\_\_\_  
 Attention: \_\_\_\_\_  
 Submitted by: FAREEDA DUDEKULA



326TTS16533

Submittal

Data @ 460 V

Motor Load Data

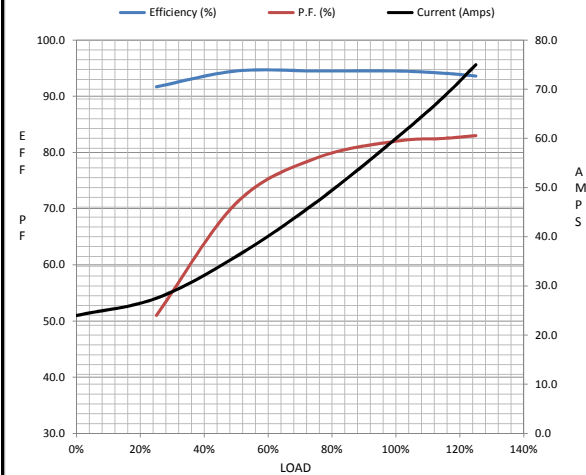
Load	0%	25%	50%	75%	100%	115%	125%	LR
Current (Amps)	24.0	27.5	36.0	47.0	60.0	68.5	75.0	335
Torque (ft-lb)	0.00	36.6	73.5	111	148	170	185	250
RPM	1800	1795	1788	1782	1775	1,772	1770	0
Efficiency (%)		91.7	94.5	94.5	94.5	94.1	93.6	
P.F. (%)	4.0	51.0	71.0	79.0	82.0	82.5	83.0	33.0

Motor Speed Data

	LR	Pull-Up	BD	Rated	Idle
Speed (RPM)	0	900	1675	1775	1800
Current (Amps)	335	300	190	60.0	24.0
Torque (ft-lb)	250	230	340	148	0.00

Information Block

HP	50.0			
Sync. RPM	1800			
Frame	326			
Enclosure	TEAO			
Construction	TTN			
Voltage	30/460#190/38V			
Frequency	60 Hz			
Design	B			
LR Code letter	F			
Service Factor	1.15			
Temp Rise @ FL	0 ° C			
Duty	CONT			
Ambient	40 ° C			
Elevation	1,000 feet			
Rotor/Shaft wk <sup>2</sup>	9.7 Lb-Ft <sup>2</sup>			
Ref Wdg	K3264168 R13			
Sound Pressure @ 1M	999 dBA			
VFD Rating	CONSTANT 20:1			
Outline Dwg	B-SS310468-1300			
Conn. Diag	A-EE7300			
Additional Specifications:				
0				
365THFS8036				
EQUIV CKT (OHMS / PHASE)				
R1	R2	X1	X2	Xm
0.0680	0.0620	0.4830	0.6480	11.0680



Speed -Torque Curve

